

ATRIA II 4

SPECIFICATION SHEET
STATIC WHITE

REIMAGINING PERFORMANCE SPACES

Housing

Diameter : Ø4.8" | Height : 13" | Weight : 8 lbs

Material

Housing: High Pressure Die-Cast Aluminum

Optics: Aluminum Reflector

Power Input

15W, 25W, 35W, 45W, 65W | 120-277V

Lumen Output

2,175 lm (15W), 3,215 lm (25W), 4,150 lm (35W), 6,235 lm (45W)
8,260 lm (65W)

Dimming

Standard 0-10V : Dims to 10%

Superior 0-10V : Dims to 1%

DMX : High resolution dims to 0.1%

TRC : Linear line-voltage phase control, dims to 1%

LDE1 : Hi-Lume 1% EcoSystem

DALI : Dims to 10%

Color Quality

CRI 85, CRI 93

Rated Life

> 100,000 Hours (L70)

Finish



Matte Black

Matte White

Color Temperature



2700K

3000K

3500K

4000K

Optics



20°



30°



45°



60°



Wide

Mounting



Stem Mount



Adjustable Cable



Wall Mount



Yoke Mount



Surface Mount

Warranty

5 Year limited warranty

Listing



DesignLights Consortium™ Qualified Luminaires:

DLC QPL Product ID: S-MT57B8

Not all product variations listed are DLC qualified.

To ensure that a specific model is qualified, visit www.designlights.org/search

Versatile and Compact Architectural Cylinder

Engineered for performance spaces, this cylinder offers versatile mounting and advanced dimming options. It seamlessly blends into ceilings, delivering powerful performance with vibrant, color-changing technology that elevates any stage environment.

With its next-gen design, the Atria Mark II features an upgraded light engine that boasts a 30% increase in lighting output across the series and introduces a new SilentBlack™ finish that reduces reflectance to under 5%.



METEOR

meteor-lighting.com

SPECIFICATION

PROJECT NAME

DATE

CATALOG #

QUANTITY

The product configurator function on this page works only with the latest version of Chrome or Adobe Acrobat Reader.

<input type="text" value="ASII4"/>	MODEL	ATRIA II 4		
<input type="text"/>	WATTAGE	15 15W 45 45W	25 25W 65 65W	35 35W
<input type="text"/>	CCT / CRI	278 2700K / CRI 85 309 3000K / CRI 93 408 4000K / CRI 85	279 2700K / CRI 93 358 3500K / CRI 85	308 3000K / CRI 85 359 3500K / CRI 93
<input type="text" value="UNV"/>	VOLTAGE	UNV 120 – 277V		
<input type="text"/>	DIMMING	STV Standard 0-10V dims to 10% DMXR¹ DMX dims to 0.1% (RJ45 Sockets) LDEI³ Hi-Lume 1% EcoSystem LED Driver with Soft-on, Fade-to-Black (UNV only)	SPV Superior 0-10V dims to 1% DMXW¹ DMX dims to 0.1% (Hard-wired) DALI⁵ DALI dims to 10%	DMX¹ DMX dims to 0.1% (XLR Sockets) TRC² Linear line-voltage phase control, dims to 1%
<input type="text"/>	BEAM ANGLE ⁴	20 20° 60 60°	30 30° WD⁵ Wide	45 45°
<input type="text"/>	FINISH	BLK SilentBlack™, Matte Finish	WHT SilentWhite™, Matte Finish	
<input type="text"/>	RIM FINISH	STD Standard Trim	GLR Glow Ring	
<input type="text"/>	MOUNTING	SUM Surface Mount AD10 Adjustable Cable 10ft YKM Yoke Mount	ST2 Stem 2ft SAD10 Sloped Adjustable Cable 10ft	ST4 Stem 4ft WLM⁶ Wall Mount
<input type="text"/>	ACCESSORIES	EMP Remote Emergency Pack AWN⁹ Lutron Athena Wireless Node Standalone Module NXC¹² NX Radio Module Canopy	CT⁷ Conduit Mount AWNC¹⁰ Lutron Athena Wireless Node Canopy	FCS⁸ Field Cut Stem Adapter Kit NX¹¹ NX Radio Module Standalone Module

CLEAR FORM

¹ DMX is not compatible with 65W
² TRC is only compatible with 120V and not compatible with 45W, 65W
³ DALI is not compatible with 65W
⁴ All beam angle options include an integrated diffuser
⁵ WD option reduces delivered lumens by ~20%
⁶ WLM is not compatible with DMX, DMXR; connections are hard-wired using three DMX wires
⁷ CT is not compatible with SUM, YKM, WLM
⁸ FCS is not compatible with SUM, AD10, SAD10, YKM, WLM
⁹ AWN is not compatible with STV, DMX, DMXR, DMXW, TRC, LDEI
¹⁰ AWNC is not compatible with STV, DMX, DMXR, DMXW, TRC, LDEI, SUM, YKM, WLM
¹¹ NX is not compatible with DMX, DMXR, DMXW, TRC, LDEI, DALI
¹² NXC is not compatible with DMX, DMXR, DMXW, TRC, LDEI, DALI, SUM, YKM, WLM

TECHNICAL DETAILS

Electrical

- 2,175 lm (15W), 3,215 lm (25W), 4,150 lm (35W)
6,235 lm (45W), 8,260 lm (65W)
- Power Input : Universal (120-277V)
- Operating Temperature : -13°F~104°F
- Surge Protection : Built-in is 4KV
- Emergency Pack with Mounting Plate : Bodine
BSL20B2UEK55C111

LED Features

- Color Temperature : 2700K, 3000K, 3500K, 4000K
- CRI 85, CRI93
- Long lasting LED luminaire tested under TM21 lumen maintenance L70 @ 100,000 Hrs
- Lumen Maintenance > 0.90 at 60,000 hours

Optics

- Aluminum Reflector
- Beam Angle : 20°, 30°, 45°, 60°, Wide

Advanced Dimming

- Proprietary VX Driver™ is integrated across all dimming options, delivering video flicker-free performance and full compliance with IEEE 1789.
- Standard 0-10V : Dims to 10%
- Superior 0-10V : Dims to 1%
- DMX : High resolution dims to 0.1%
(Supports ANSI E1.20 RDM protocol)
- TRC : Linear line-voltage phase control, dims to 1% (120V only)
- LDE1 : Hi-Lume 1% EcoSystem LED Driver with Soft-on,
Fade-to-Black (UNV only)
- DALI : Dims to 10%

Housing

- Diameter : Ø4.8"
- Height : 12.6"
- Material : High Pressure Die-Cast Aluminum, Metal Reflector
- Weight : 8 lbs

Mounting

- Surface Mount
- Stem 2ft or 4ft; 45° Swivel Canopy Included
- Adjustable Cable 10ft
- Sloped Adjustable Aircraft Cable 10ft
- Yoke Mount
- Wall Mount

Warranty

- 5-year limited warranty

Listing

- DLC Listed
- ETL Damp Location Listed
- CE
- FCC
- UKCA

PERFORMANCE SUMMARY*

Delivered Lumens					Current Consumption		
CCT/WATTAGE	2700K	3000K	3500K	4000K	WATTAGE / VOLT	120V	277V
15W	1,950lm	2,010lm	2,135lm	2,175lm	15W	0.17A	0.08A
25W	2,880lm	2,980lm	3,150lm	3,215lm	25W	0.23A	0.11A
35W	3,720lm	3,845lm	4,065lm	4,150lm	35W	0.34A	0.15A
45W	5,600lm	5,780lm	6,100lm	6,235lm	45W	0.45A	0.2A
65W	7,415lm	7,655lm	8,095lm	8,260lm	65W	0.64A	0.29A

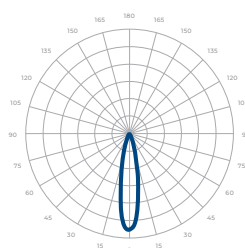
*Beam Angle: 60° * Tolerance ±8%

*For specifications requiring a CRI of 93, apply a 0.75 multiplier to the lumen output values listed.

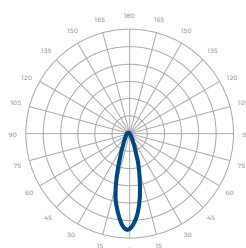
Emergency Pack Lumen Output Table				
CCT	2700K	3000K	4000K	5000K
LUMEN	1,640lm	1,760lm	1,890lm	1,950lm

PHOTOMETRICS

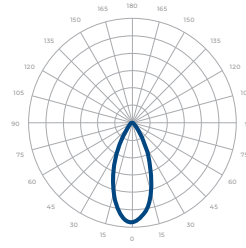
Below is a typical photometric representation of the Atria II 4 fixture. Please download IES files to ensure exact photometric value.



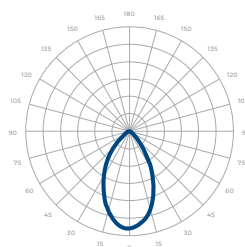
20°



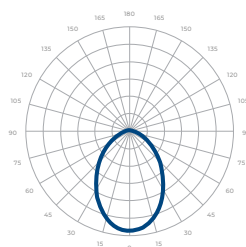
30°



45°



60°



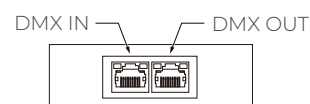
WIDE

DMX REQUIREMENTS

The Atria II 4 fixture with DMX is a **single channel dmx** unit. When placing an order, please indicate DMX address. (The DMX address will be listed on the back of the fixture). Do not connect more than 32 fixtures per DMX daisy chain.

The fixture can be connected with RJ45 or XLR sockets. DMX cables **are not** included; please refer to compatible DMX cabling list for more information. The final fixture on each daisy chain should be terminated by the use of a DMX terminator purchased from a 3rd party or from Meteor.

CONNECTION	RJ45 (CAT5e)	5-PIN XLR
Common	WHITE/BROWN(PIN7) & BROWN (PIN 8)	PIN 1
Signal -	ORANGE (PIN 2)	PIN 2
Signal +	WHITE/ORANGE (PIN 1)	PIN 3
Spare	-	PIN 4
Spare	-	PIN 5



RJ45 Sockets



DMX IN DMX OUT

XLR Sockets

COMPATIBLE DMX CABLING LIST

DMX uses a cable consisting of two twisted pairs plus a shield to carry data. The cable must be specifically impedance matched for the digital DMX signal, meaning that microphone cable or other non-rated cable **must not be used to carry DMX**. Network cable (Cat5, 5e or 6 cable) may be used to carry DMX in an installation; however special consideration must be given to shielding and termination. Under no circumstances should solid core cable like Cat5 be terminated into a screw down connector.

Meteor recommends the use of Belden 9729 or Belden 9841 for DMX installation. Belden 9729/9841 is a two pair cable, which allows for a spare pair for 'out and back' type terminations if needed.

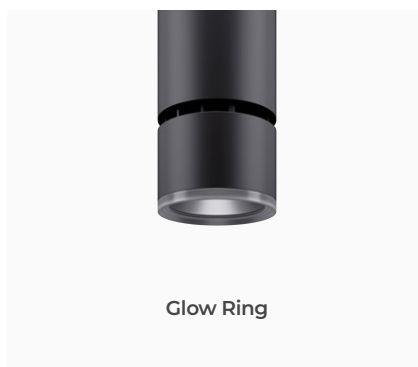
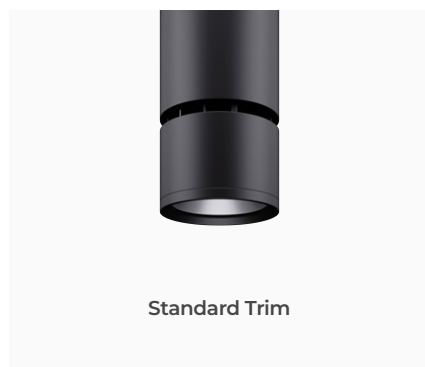
COMPATIBLE LDE1 DIMMER LIST

LUTRON PART NO.						
RMJ-ECO32-DV-B	FCJ/FCJS-ECO	QSN-1ECO-S	QSN-2ECO-S	QSGRJ-_E	QSGR-_E	QP2-__ 2C
QP2-__ 4C	QP2-__ 6C	QP2-__ 8C	LQSE-2ECO-D			

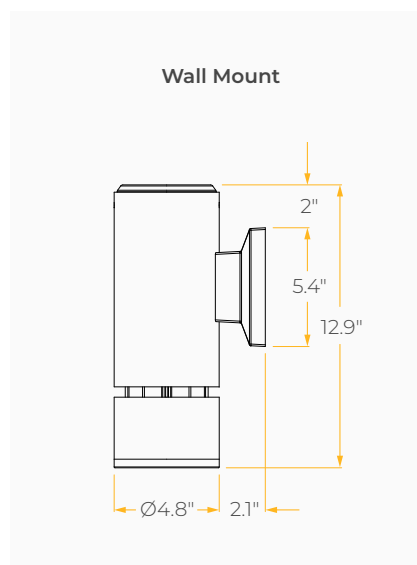
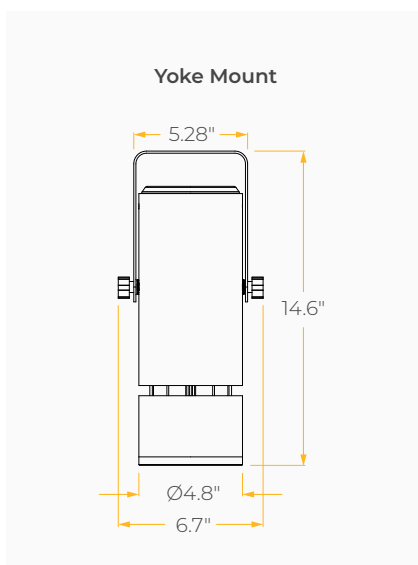
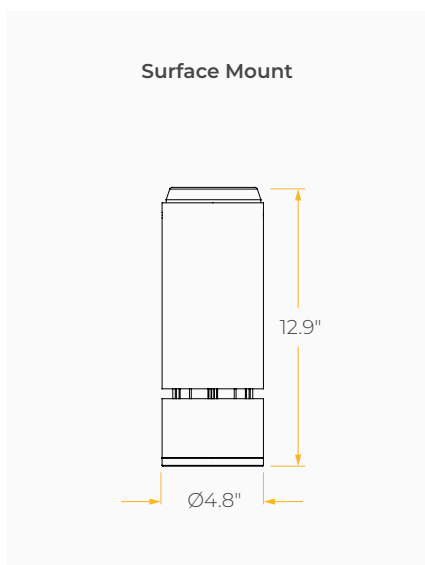
COMPATIBLE TRC DIMMER LIST

PART NO.					
Lutron S-603PG	Lutron DVCL-153P	Lutron DVLV-600P	Lutron TGCL-153P	Lutron S-600P	Lutron DVELV-303P
Lutron SELV-300P	Lutron TG-600P	Lutron DVLV-600P	Lutron LG-600P	Lutron CT-103P	Lutron MAELV-600
Lutron FAELV-500	Leviton IPI06-1LZ	Leviton 6631-2	Leviton VPE06	Leviton 6683-IW	Leviton 6161
Leviton 6633-P	Leviton IPE04	Cooper DLC03P	Cooper SLC03P	Cooper DAL06P	Lightolier ZP260QEW

RIM FINISH

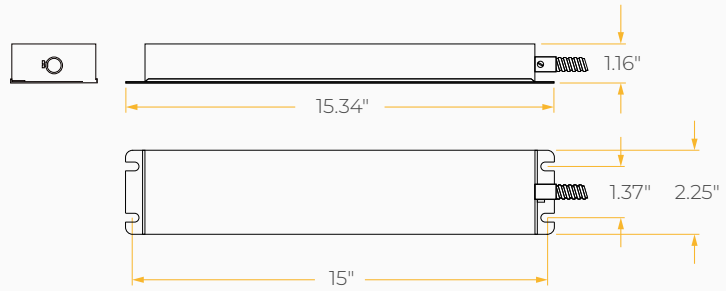
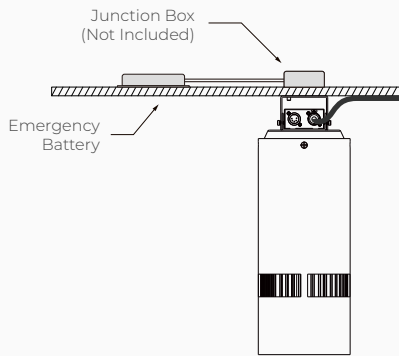


DIMENSIONS

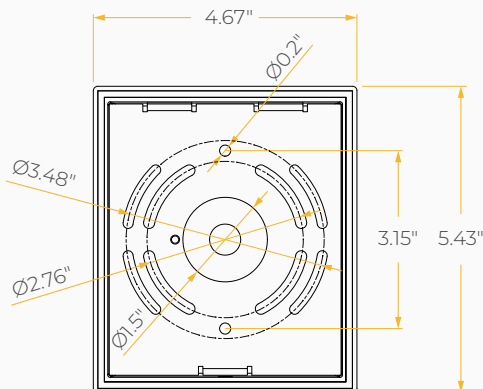


DIMENSIONS

Remote Emergency Pack

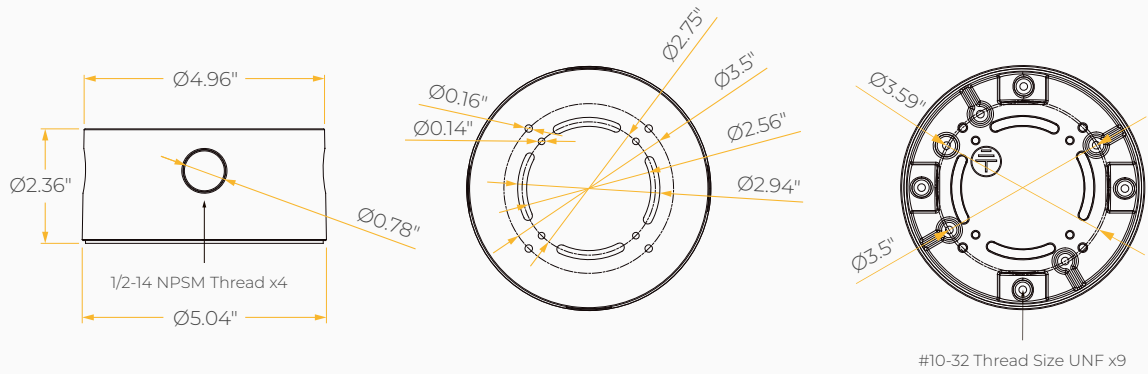


Wall Mount

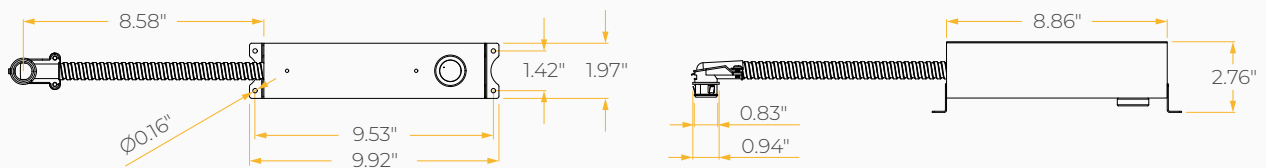


DIMENSIONS

Conduit Mount

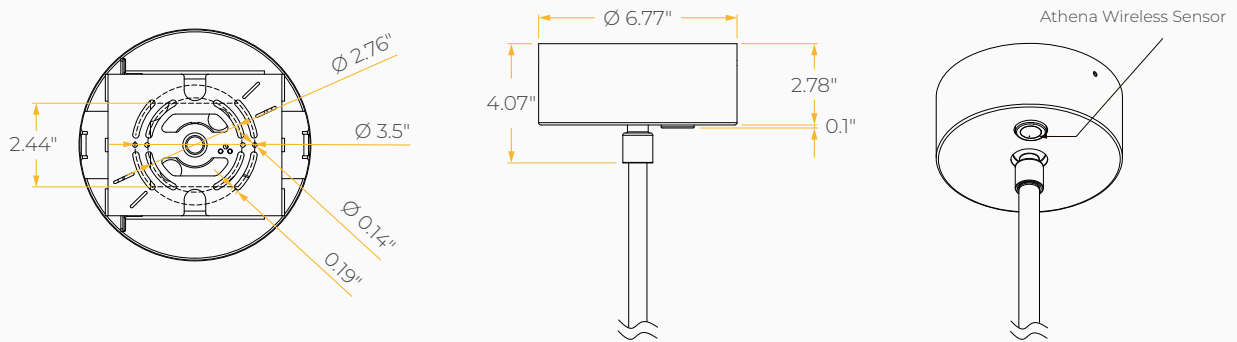


Lutron Athena Wireless Node / NX Radio Standalone Module

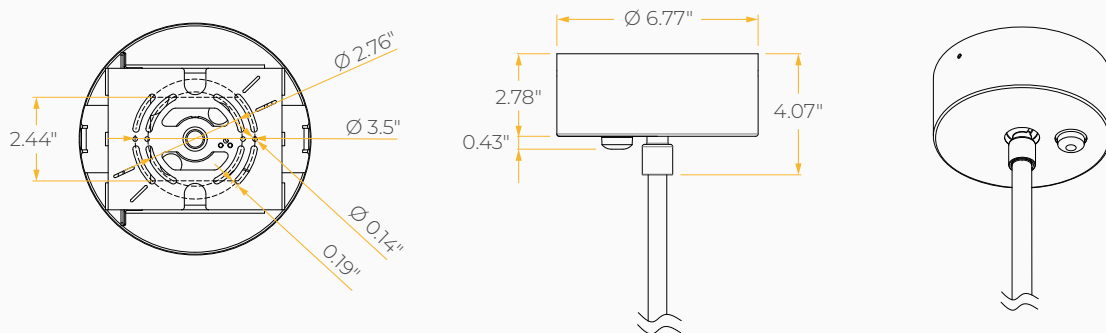


DIMENSIONS

Lutron Athena Wireless Node Canopy



NX Radio Node Canopy



MOUNTING OPTIONS*

*Junction box not included

